

# PICHON



	M8   8,5 M <sup>3</sup>
	M10   10,5 M <sup>3</sup>

## MUCK SPREADERS M8/M10

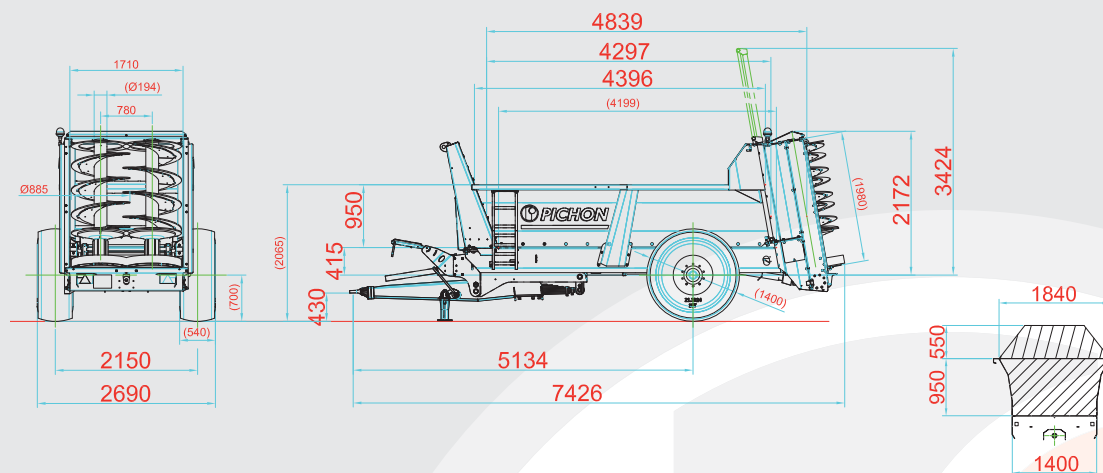
## TECHNICAL DATAS

	M8	M10
Heaped volume	8,5 m <sup>3</sup>	10,5 m <sup>3</sup>
Axle(s) / Studs	Commercial Axle $\nabla$ 90 mm / 10	
Hydraulic brakes	400 x 80	
Reducer	5000 N.m	
Hydraulic engine	125 cm <sup>3</sup> /tr	
Marine Bed Chains	$\varnothing$ 16mm x 56 mm	
Floor slats U 70 mm	29	
$\varnothing$ beaters / Knives / Rotors thickness	$\varnothing$ 885 mm / 42 / 8mm	
Spreading speed	480 RPM at 1000 RPM	
Power	160 HP at 1000 RPM	

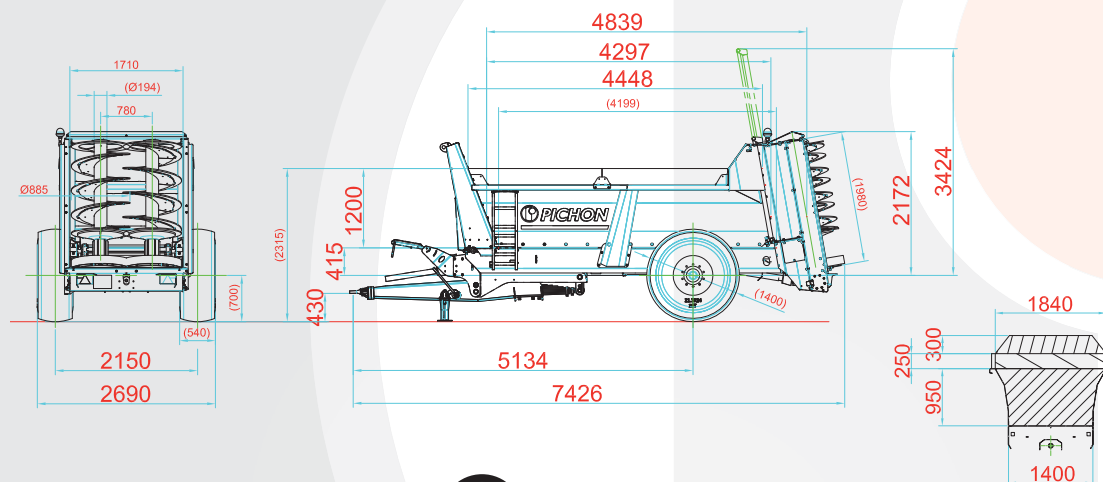
## OPTIONS

Hydraulic slurry door
Rear hood with spinning discs
Mechanical or hydraulic slurry door level indicator
Hydraulic back side door (right/left)
Right/Left bottom hood deflector to control spread width
Wooden sides extension (+ 15 cm) with brackets
Hydraulic floor tensioner
Rear rolls cleaners (marine chain only)
Chain protector (for heavy products)
Air brakes
Dual brakes (air and hydraulic)
Hydraulic drive unit (oil quantity delivered 80L - 1000 RPM PTO)
Electric remote control for speed control variation (in cab)
Hydraulic distribution with electric control 2 hydraulic functions + speed controller
Load counter
Application rate control

## DIMENSIONS M8



## DIMENSIONS M10 (WITH STEEL SIDE EXTENSIONS)



PICHON - ZI DE LAVALLOT - B.P. 21 - 29490 GUIPAVAS - FRANCE

TEL: + 33 298 344 100 - FAX: + 33 298 344 120