

PICHON



	M12 13 M ³
	M14 14 M ³

MUCK SPREADERS M12/M14

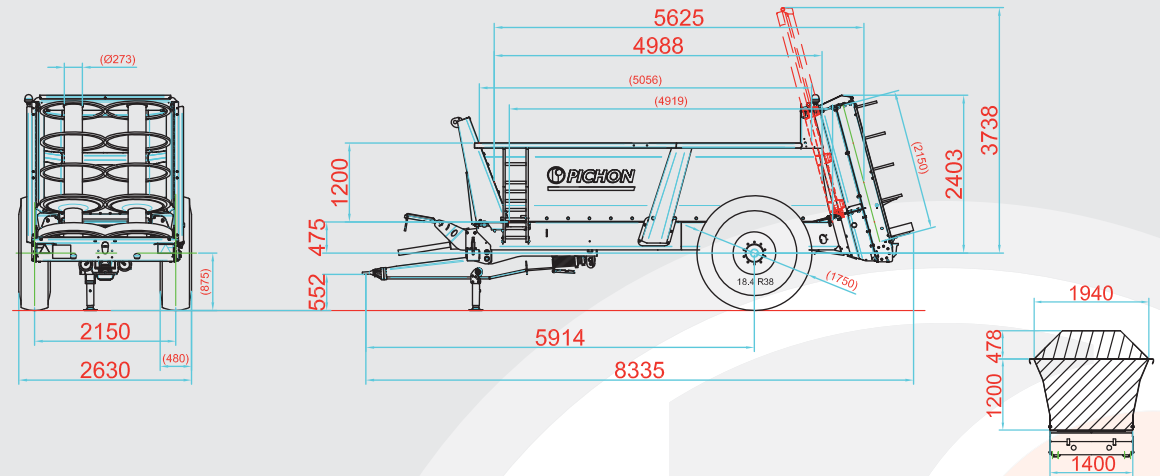
TECHNICAL DATAS

	M12	M14
Heaped volume	12,8 m ³	13,7 m ³
Axle(s) / Studs	Commercial Axle ∇ 150 mm / 10	
Hydraulic brakes	420 x 180	
Reducer	5000 N.m	
Hydraulic engine	125 cm ³ /tr	
Marine Bed Chains	16mm x 56 mm	
Floor slats U 70 mm	34	
Ø beaters / Knives / Rotors thickness	1035 mm / 46 / 10 mm	
Spreading speed	422 tr/min	
Power	170 HP at 1000 Rpm	

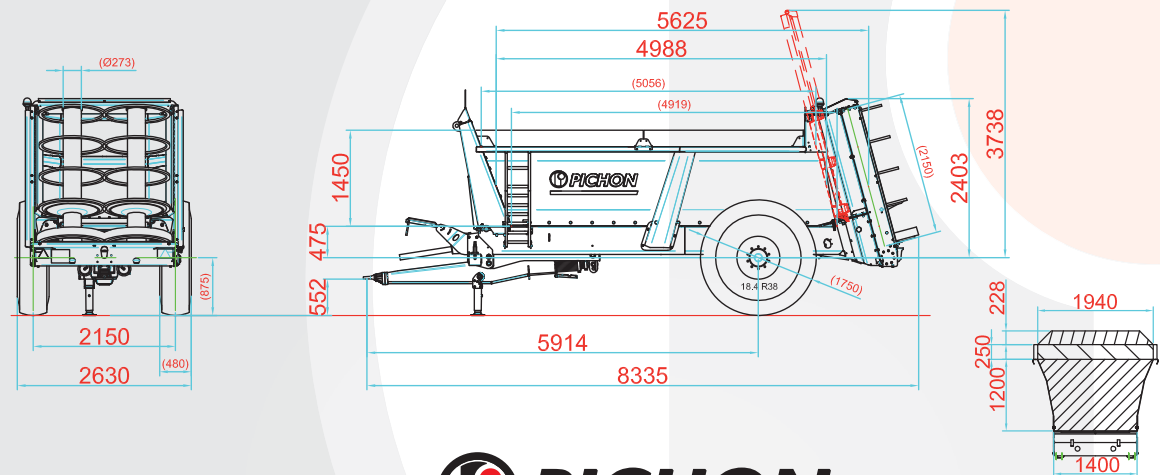
OPTIONS

Hydraulic Slurry Door
Slurry Door Level Indicator
Hydraulic deflector (right hand side)
Hydraulic deflector (left hand side)
Full protection for beaters (2 deflectors)
Hydraulic chain tension
Wooden sides extension (+ 15 cm) with brackets (M12)
Bolted ball hitch in lieu of ring hitch
Hydraulic Jack with manual pump
Drawbar foot in lieu of Manual/Hyd Jack
Hydraulic suspension on drawbar
Side lights (per pair)
Air brakes
Air and Hydraulic Brakes
Rear coupling hitch
Hydraulic drive unit (oil quantity delivered 80L) with electric control only
Filter on hydraulic circuit
Electric control 2 hydraulic functions + speed controller (floor + 1 additional function)

DIMENSIONS M12



DIMENSIONS M14 (WITH STEEL SIDE EXTENSIONS)



PICHON - ZI DE LAVALLOT - B.P. 21 - 29490 GUIPAVAS - FRANCE

TEL: + 33 298 344 100 - FAX: + 33 298 344 120