



M16		16 M <sup>3</sup>
M18		18 M <sup>3</sup>
M20		20 M <sup>3</sup>
M24		24 M <sup>3</sup>



**MUCK SPREADERS**  
**M16/M18/M20/M24**

# CHARACTERISTICS



Galvanized sprung drawbar  
Hydraulic jack



Fully galvanized  
heavy duty construction



Recessed axle for improved  
stability – Air brakes



Ø16 mm chain



Ø20 mm VAUCANSON chain  
(option)



Large front protection frame  
with internal vision



Straight body for easy cleaning  
70 mm wide «U» slides



PICHON in-cab electric  
control box



Squared thread chain tensor



Oversized gearbox  
10000 N.m  
with hydraulic motor 160 cm<sup>3</sup>



Beaters 1035 mm with  
52 reversible cutters  
Oversized gearbox.



Hydraulic guillotine door





## TECHNICAL DATAS

	Heaped volume	Bed-Top beater height	Axle(s) / Studs	Hydraulic brakes
<b>M16</b>	15,9 m <sup>3</sup>	1871 mm	Commercial Axle ∅ 150 mm / 10 studs	420 x 180
<b>M16B</b>	15,9 m <sup>3</sup>	1871 mm	PICHON steering bogie Axle ∅ 130 mm / 10 studs	406 x 120
<b>M18</b>	17,6 m <sup>3</sup>	1950 mm	Commercial Axle ∅ 150 mm / 10 studs	420 x 180
<b>M18B</b>	17,6 m <sup>3</sup>	1950 mm	PICHON steering bogie Axle ∅ 130 mm / 10 studs	406 x 120
<b>M20</b>	20,4 m <sup>3</sup>	1871 mm	Low-bed tandem fixed + steering ∅130 mm / 10 studs	406 x 120
<b>M24</b>	23,6 m <sup>3</sup>	2100 mm	Low-bed tandem fixed + steering ∅ 150 mm / 10 studs	420 x 180

	M16/M16B/M18/M18B	M20/M24
<b>Floor slats U 70 mm</b>	37	45
<b>∅ beaters / Knives / Rotors thickness</b>	1035 mm / 52 / 12 mm	
<b>Spreading speed</b>	422 tr/min	
<b>Power</b>	248 CV à 1000 tr/min	

## OPTIONS

Hydraulic slurry door

Mechanical/Hydraulic slurry door level indicator

Hydraulic back side door (right/left)

Rear hood with spinning discs

Right/Left bottom hood deflector to control spread width

Beaters with ∅323mm tube + 62 Knives

Wooden sides extension (+15 cm) with brackets

Hydraulic floor tensioner

∅20 mm VAUCANSON chain in lieu of marine chain (distance between floor slats 300 mm)

Font rear rolls cleaners (marine chain only)

Chain protector (for heavy products)

Air Brakes

Dual brakes (air and hydraulic)

Hydraulic drive unit (oil quantity delivered 80L - 1000 RPM PTO) with electric control only

Electric remote control for speed control variation (in cab)

Electric control 2 hydraulic functions + speed controller (floor + 1 additional function)

Load counter

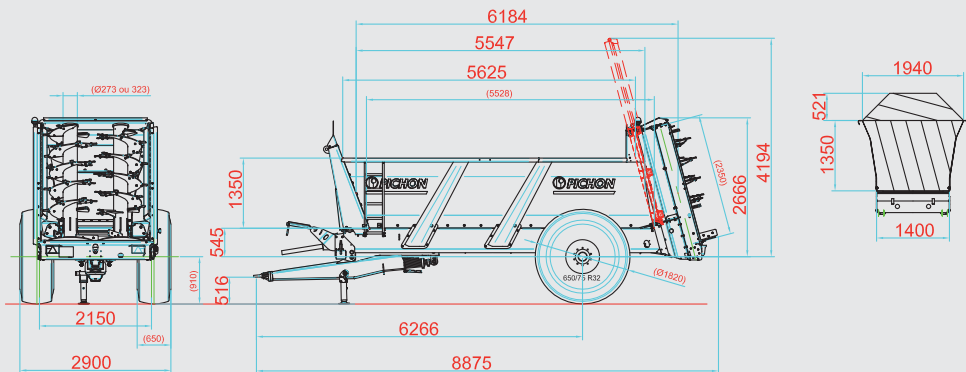
Application rate control

Application rate control + weighing system

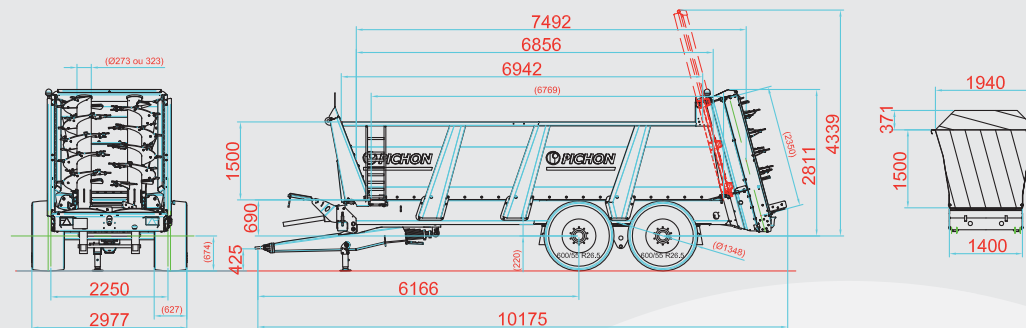


# DIMENSIONS

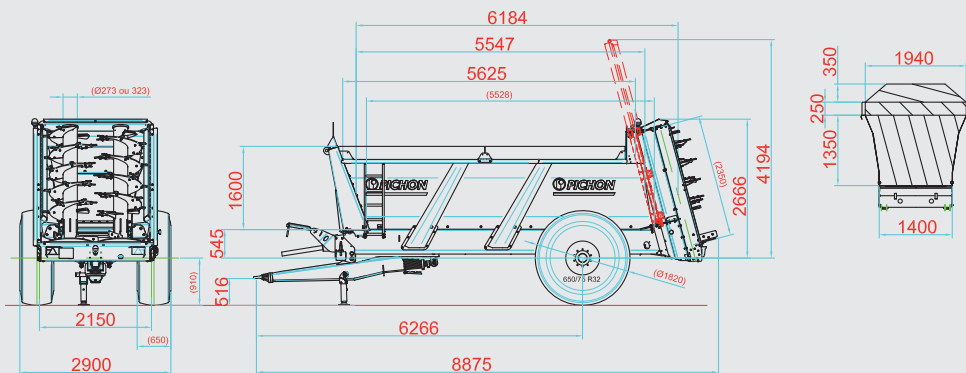
## MUCK MASTER M16/M16B



## MUCK MASTER M20/M24



## MUCK MASTER M18/M18B



ASK FOR OUR BROCHURE ON MUCK SPREADERS  
M8/M10 AND M12/M14.

PICHON DEALER:



ZI DE LAVALLOT - B.P. 21  
29490 GUIPAVAS - FRANCE

TEL: + 33 298 344 100

FAX: + 33 298 344 120

E-mail: [info@pichonindustries.com](mailto:info@pichonindustries.com)



## DISCOVER OUR OTHER SOLUTIONS



SLURRY TANKERS  
FROM 2 600L TO 30 000 L



COMPACT LOADERS  
FROM 26 TO 85 HP



SPECIFIC  
EQUIPMENT