



SLURRY TANKERS FROM 2 600L TO 30 000 L



1 axle: from 2 600L to 11 350L



2 axes: from 7 150L to 22 700L



3 axes: from 18 500L to 30 000 L

A UNIQUE DESIGN

The range TCI (Tanker with Chassis Integrated) has been the trademark of PICHON for more than forty years. This exclusive option increases the stability of PICHON tankers. The tanker, in conformity with the pressure European Directive DESP 97/23/CE, is not fixed on an independent frame but is welded directly with the chassis, offering the lowest centre of gravity of the market.

The rings and the ends are assembled side by side, then welded completely inside and outside by the welding process SAW (Immersed Arc Welding). In order to respect the standard (DESP), PICHON uses special tankers ends of type GRC (rounded ends) increasing the resistance to the vacuum and the pressure. PICHON offers various thicknesses of tanker, from 5 to 8 mm according to the diameters. Steel is selected according to its mechanical characteristics and its aptitude for galvanization, process to which PICHON attaches great significance in order to offer a better longevity to its machines.

Each tanker can be equipped with brackets enabling the user to modify his equipment in the future. Available in single axle, tandem or triaxle variants, the PICHON slurry tankers answer to the most demanding users' expectations.

TANKERS CAPACITIES OF THE PICHON RANGE

PICHON offers a wide range of slurry tankers with capacities varying from 2 600L to 30 000L, built for professional use.

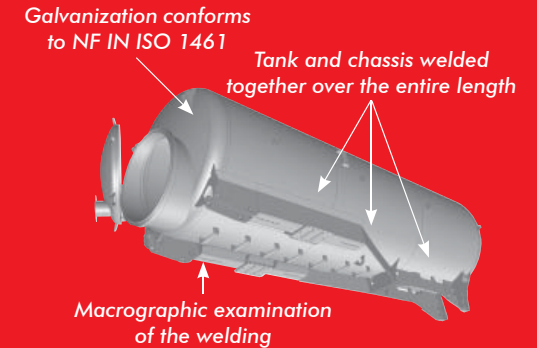
Recessed tankers are offered to enable users to fit axles with big diameter wheels. The total volume of the tanker is preserved: the loss of volume created by the recess is always compensated either by the length or the diameter of the tankers.

Tankers TCI in conformity with the European directive of Pressurized equipment (DESP 97/23/CE).
Operating pressure: 1 bar
Pressure test: 1.43 bar



ROBUSTNESS

Consistently seeking longevity, PICHON uses an industrial technology to the agricultural world: the integrated frame. The control of all the stages, from the design to the assembly, is a guarantee of quality and reliability.



STABILITY AND WEIGHT

By its choices of engineering, PICHON reduces the weight of their tankers. The design of the integrated frame is much lighter than a bolted frame and gives a lower center of gravity.

The concept of tankers TCI (Tanker with Chassis Integrated) is an unequalled proof of stability on the market, and thus makes the working conditions safer on the field and on the road.

EXPERIENCE

For 40 years PICHON have analyzed, advised and suggested the ideal solution as each customer's needs requires a personalized answer.

MAKE YOUR TRANSPORT SAFER



As the concern for the safety for the users is paramount, PICHON chooses carefully the components used in the manufacture of our tankers, such as the axles. The slurry tanker is an agricultural vehicle, used mainly on road. It is thus important to define the number of axles, their dimension, and especially the size of brakes in accordance with the volume of the tanker. The quality and the choice of the tyres are fundamental for the users in order to work with high performance on all working conditions.

PICHON offers also tankers approved 40km/h in France with a choice of equipment carefully complying with the legislation in effect.

EQUIPMENT OF TANKER

1 LIGHTING

See and "being seen" are two essential aspects of road safety.

2 HITCHES

The hitch is the first tool for safety. All ring hitches or Ø 80mm Ball hitches are standardized and bolted.

3 LEVEL INDICATORS

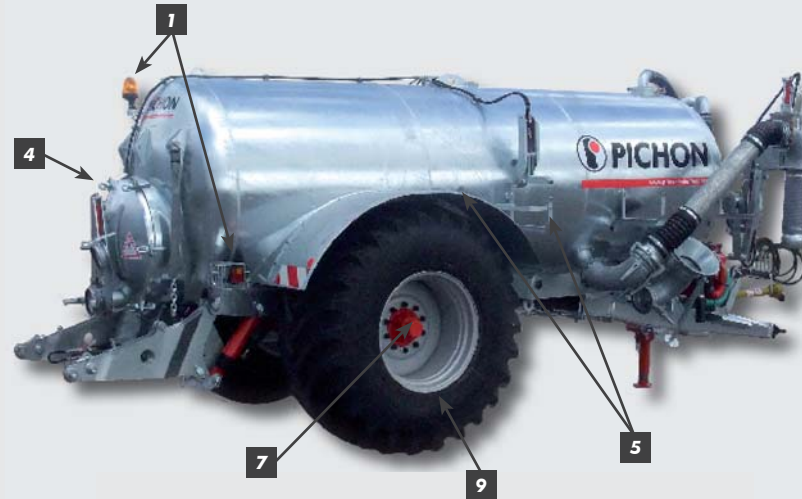
Two possibilities are offered: The simple sight glass 3" to indicate the end of the filling or the Sight tube to visualize the exact volume contained in the tanker.

4 REAR DOORS

In order to facilitate maintenance, PICHON equips its tankers with large diameter rear doors, assembled on hinges. The choice of the rear door and the number of outlets vary according to the access to the pit and the speed of spreading.

5 MUDGUARDS PIPE SUPPORTS

In order to facilitate the work of the operator, PICHON advises pipe supports that are accessible and adapted to the configuration of the equipment: pipe rack underneath the tanker, double pipe supports kit...



6 VACUUM PUMPS

The choice of a vacuum pump depends on the working conditions and the capacity of the tanker. PICHON has a wide range of vacuum pumps: air or water-cooled as well as lobe and centrifugal pumps according to the flows and pressure to be reached.

7 AXLES - HUBS

The choice of the axle section must be proportional to the total weight of the tanker. Safety being a priority, PICHON offers oversized axles as standard with a special attention paid to the dimensioning of the hubs, bearings and brakes.

8 BRAKES

Effective brakes are the insurance to drive in full safety. The size of the drums is proportional to the load, the speed and the diameter of the wheels. Protected from the external elements, the brakes are activated by air or by hydraulic pressure. A hydraulic brake away security valve and a Load sensing device are available for an increased safety.

9 WHEELS

The selection of the wheels is very important for a safe use of the slurry tanker on road and field. Whether it is road or low pressure profiles, the PICHON sales representative will be able to advise you according to your working conditions.

CHOOSE AN OPTIMAL COMFORT



COMFORT OF CONTROL

COMFORT OF MAINTENANCE

COMFORT OF USE

EQUIPMENT OF COMFORT

AXLES SUSPENSION

The slurry tanker must adapt to the working conditions in the field and must offer an optimal handling at high speed. **PICHON offers a wide selection between leaf springs suspension and active or passive hydraulic suspension.**

The Delta concept manufactured by PICHON is particularly adapted for a better clearance and an intensive uses under extreme conditions.

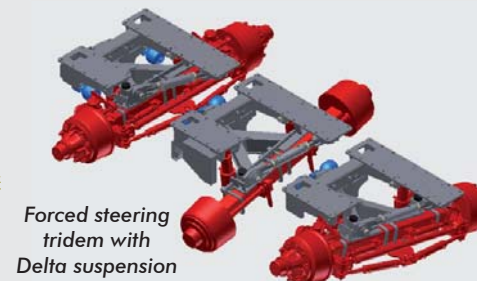
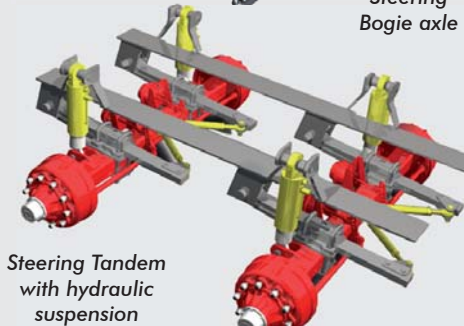
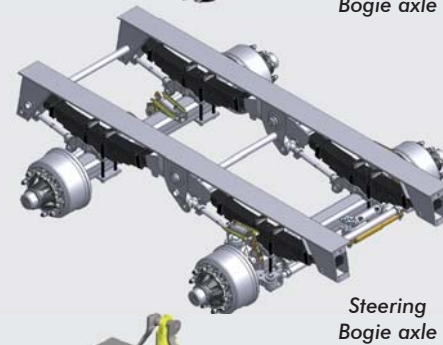
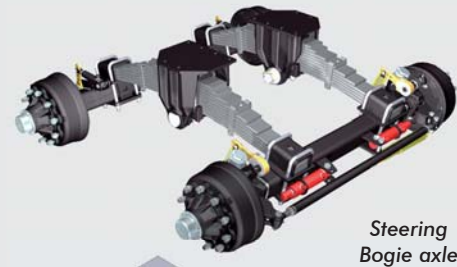
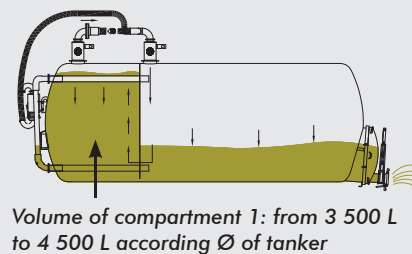
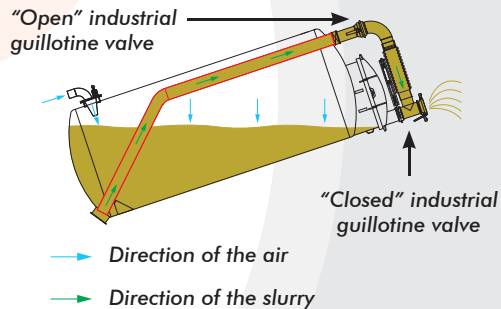
The choice of the free or the forced steering system will determine the maneuverability, reduce the wear of the tyres and ensure maximum safety.

DRAWBAR SUSPENSIONS

From their design type "box-section frame", PICHON drawbars transfer perfectly the traction efforts to the chassis. **Galvanized as standard, there are three variations available:** rigid model for small volumes and leaf springs or hydraulic for large volumes.

To improve traction, the driver varies the slope of the hydraulic drawbar (option) or chooses the automatic weight transfer system. The driver will appreciate this comfort as much on the road as on the fields.

SLOPE GROUND SYSTEM WEIGHT TRANSFER SYSTEM



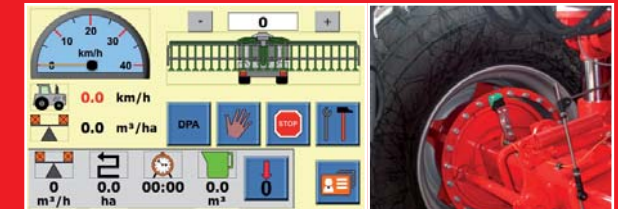
ELECTRIC CONTROL



The ergonomic control box, available in wired or remote controlled versions, centralizes the controls via CAN bus.

Discover also the simplicity thanks to the intuitive touch screen control. All the cycles: transport, pumping and spreading are automated. The manual mode remains possible for more versatility via the screen and the control joystick.

FLOW CONTROL



The Electronic Flow Control operates the rear door hydraulic valve to regulate the flow according to speed and the spreading width. The operator fills in the parameters and the requested flow with the touch screen.

At the end of the day, the user can justify the achieved work (flow, time, surface, volume) by printing a receipt or by downloading it on USB stick. The application of the slurry is optimized as well as facilitating administrative management.

CHOOSE YOUR PUMPING SOLUTION

BP2 Arm, positioned in a cone, is the ideal solution to fill slurry tankers that are difficult to access, without leaving the tractor cab. With its simplicity of use and low maintenance, the BP2 only requires one double acting spool valve thanks to the sequential block. It is available in version Ø 150 and Ø 200mm, with or without turbo filler.

The plunger arm aims at pumping directly in buried or semi-buried pits. As standard with Ø 200 and equipped with a reinforced structure, this model also fits immersed or articulated turbo fillers. As optional extra, hydraulic rotation of the arm facilitates pumping in lagoons.

The turret arm is the most versatile arm available. It can be used for a large range of filling conditions: below or above ground pits, or by cone filling. As standard with Ø 200 with two articulations, it can be equipped with articulated or immersed turbo filler. This robust arm is held by a deep internal column that is embedded in the tank, with a rotation angle of 270°. Possible alternatives: emptying through the arm, 3rd articulation.

The Top filling enable the user to fill the tanker by the top via an independent pump. Ø 250 hydraulic or Ø 400 or 600 manual are available.

Finally, pumping can be also carried out manually by a valve with a quick attach system, positioned laterally or on the back door of the tanker.



Bi-directional BP2 with turbo filler



Plunger arm



Turret arm



Top Fill Cone



CENTRIFUGAL PUMP: FLOWMASTER

This unique concept from PICHON is designed to achieve unmatched yield of between 100 to 120 m³/hour. Available from 15700L, the Flowmaster stands out by the use of a single centrifugal pump at the end of the turret arm to perform four separate functions:

- Stirring slurry in buried or raised pits.
- Completely filling tanks, either with the arm directly submerged in the pit, or using an intermediate cone for inaccessible pits or plastic lagoons (with the vacuum pump option).
- Internal stirring of the tank during road transportation.
- Feeding the different spreading tools (bars, injectors, etc.).

For this new Flowmaster, PICHON has developed an electro valve control unit that uses the CAN (Controller Area Network) to program automated sequences in the filling and spreading cycles.

IMPROVE YOUR PUMPING OUTPUT

THE CHOICE OF AN ADAPTED VACUUM PUMP IS ESSENTIAL.

Its air outflow must be proportional to the tanker capacity to create the vacuum as fast as possible and especially to be able to maintain it without any loss of power.

Lubricated by an automatic pump, the vacuum pump is provided with an oil tank on the side (according to the model). The operator will choose the oil collector/ air filter/ silencer in order to ensure a better longevity.

For the intensive uses, it is advised to use a water cooled industrial vacuum pump.

A TURBO FILLER TO IMPROVE THE OUTPUT.

In hard pumping conditions as thick slurry and bottom of the pit, **PICHON** advises the turbo filler.

The benefits are triple: to save time, to reduce the efforts of the vacuum pump and to optimize the filling.

Immersed at the end of plunger or turret arms, it can be combined or without vacuum pump. The flow back of the slurry in the pit announces the total filling of the tanker.

The operator noticeably improves the outputs, on all types of liquid manure.

GIVE VALUE TO YOUR LIQUID MANURE

The **PICHON spreading bar**, which has a fully galvanized structure, is mounted on a hydraulic rear linkage. Possible with double nozzles, multi nozzles or dribble bars , it can reach working widths from 9 to 28 m with several possible options (e.g.: simple or double distributors with or without macerator...).

The injectors are available in 5 versions: the EL5 shallow disc injector with Ø 345 discs, the EL7 with discs Ø 640, the EL8 Trailing Shoe, the EL61 with tines (Vibroflex or square) and the EL63 stubble injector. The choice of a model is made according to the type of the ground on which the slurry is to be applied (see table).

Spreading by rain gun is particularly useful on hilly land, where the fields cannot be reached. Pumping is done by the vacuum pump and spreading either through the rain gun, or through the spreader plate.

PICHON also proposes a wide range of spreading nozzles: conical, low level, inverted, oscillating, vertical jetting.

FOR WHICH GROUND?

Spreading/Culture	Cereals	Grass	Stubble	Vegetable cover	No crop
Shallow Disc Injector EL5					
Universal disc injector EL7					
Trailing shoe EL8					
Tine injector EL61					
Stubble Injector EL63					
Double nozzles spreader bar					
Multi-nozzles spreader bar					
Dribble bar					

Ideal
Occasional



Dribble bar



Double nozzles spreader bar



Multi-nozzles spreader bar



Rain gun



EL61

PICHON MACERATOR

PICHON Vertical macerator ensures the crushing and the distribution of the thick slurry also sometimes full of foreign bodies. This macerator can fit the range of the spreading bars and injectors.

The body of the macerator is fed with slurry under pressure. The rotation of the sharp knives against the steel plates ensures the homogenization of the slurry.

PICHON conceived the macerator to guarantee a better regularity of spreading and to simplify maintenance. The greasing points and the stone trap are very easy to access.



EL5



EL7



EL8



EL63

CUSTOMIZE YOUR TANKER

PICHON tankers, well known in the agricultural world, can also be used for other applications: pumping of the sewage sludge of the cities, the food wastes and applications for building industry .

Each project is studied to fulfill the needs and the requirements of the users. Each PICHON tanker is personalized. The objective is to offer the solution in terms of equipment and service.

As a consequence, TCI PICHON tankers meet the most varied needs, in many different sectors.

Consult us to discover the panel of available equipment.



Wine producing waste



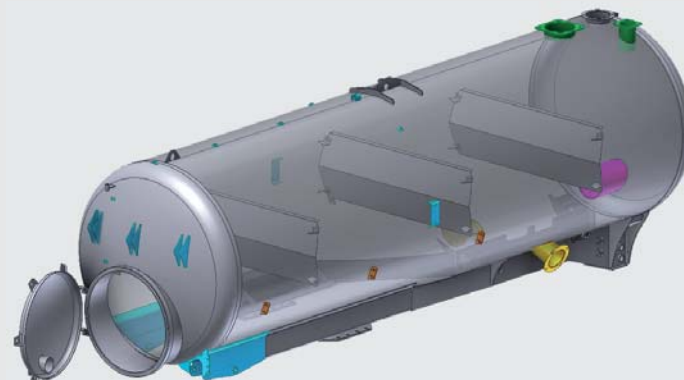
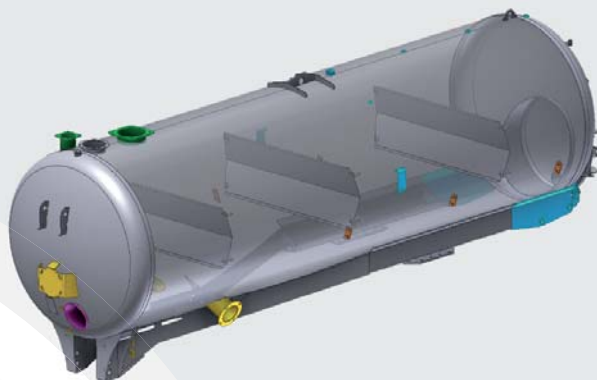
Dust suppression and soil preparation



Power jetting tank

MAKE YOUR EQUIPMENT EVOLVE

Each tanker can be equipped with brackets offering the possibility to change the equipment. The user will be able to improve his original tanker in accordance with the evolution of his needs: in order to save time and to improve the comfort (filling arm), to give value to the slurry (rear linkage), to optimize the volume of the tanker (internal mixing)...



- Bracket for top fill cone
- Bracket for mixer
- Bracket for mudguard

- Bracket for filling arm BP2 Ø 150/200
- Bracket complete semi-rigid rear linkage



A LONG TERM INVESTMENT

PICHON offers the adapted equipment thanks to its customers' feedback. The whole equipment which composes a PICHON slurry tanker enables its users to work in an adequate way.

Buying a slurry tanker is not a short time investment, this is the reason why PICHON gives frank and suitable answers, so that each request received are transformed into technical and economical success.



TECHNICAL DATA

	Axles			Rear linkage	Arm		
	1	2	3		BP2	Plunger	Turret
2600 L Tank Viti	Ø 1 250						
3050 L Tank Viti	Ø 1 250						
4050 L Tank Viti	Ø 1 250						
3050 L Tank	Ø 1 100						
4050 L Tank	Ø 1 250						
5150 L Tank	Ø 1 400						
6050 L Tank	Ø 1 400						
7150 L Tank	Ø 1 500	Ø 1 500					
8100 L Tank	Ø 1 500	Ø 1 500					
10400 L Tank	Ø 1 600 Ø 1 700	Ø 1 600					
11350 L Tank	Ø 1 700 Ø 1 800	Ø 1 700					
12600 L Tank		Ø 1 700					
14200 L Tank		Ø 1 800					
15700 L Tank		Ø 1 800					
16800 L Tank		Ø 1 900					
18500 L Tank		Ø 1 900 Ø 2 000	Ø 1 900				
20700 L Tank		Ø 2 000 Ø 2 100	Ø 2 000				
22700 L Tank		Ø 2 100	Ø 2 000				
24500 L Tank			Ø 2 100 Ø 2 000				
27400 L Tank			Ø 2 200				
30000 L Tank			Ø 2 300				

The recess is possible only on the tankers whose diameters are indicated in white lettering.

SPREADING WIDTHS

Spreading/Width	3 m	4 m	5 m	6 m	7.5 m	8.8 m	9 m	12 m	15 m	18 m	21 m	24 m	28 m
Shallow disc injector EL5													
Universal disc injector EL7													
Trailing shoe EL8													
Tine injector EL61													
Stubble disc injector EL63													
Double nozzles spreader bar													
Multi-nozzles spreader bar													
Dribble bar													

PROFILES OF THE WHEELS



11,5/80 x 15,3
12,5/80 x 15,3



385/65 R 22,5
425/65 R 22,5
445/65 R 22,5



21,3 R 24 AS
23,1 R 26 AS
28,1 R 26 AS
30,5 R 32 AS



Alliance 347



Alliance 360



Alliance 380



Alliance 388



Alliance 390



Vredestein
Flotation trac



Trelleborg 404



Trelleborg
421



Trelleborg
Twin Radial



Michelin Cargo
XBIB



Michelin XS



Nokian ELS



Nokian
Country king

THE BEST SERVICE, A NETWORK TO GIVE YOU THE BACKUP

SALES SERVICE

Our sales representatives are at your disposal to assist you in selling our products. Specialists in PICHON solutions, they can advise you and your customer in the realization of the ideal offer. We invite you to meet them at the various agricultural fairs.

DELIVERY

We deliver the machines thanks to our own fleet of trucks and our experienced drivers. Machines can be also packed and sent by containers worldwide.

FIRST USE

You can benefit from our technical assistance for first use service. On site assistance on request.

AFTER-SALES SERVICE

Our qualified technicians are glad to assist our customers. You can download the assistance form request in our website.

SPARE PARTS

Our technicians can help you to find the parts within our large stock available. We have a wide choice of spare parts for slurry tankers that we send worldwide by normal or express freight.

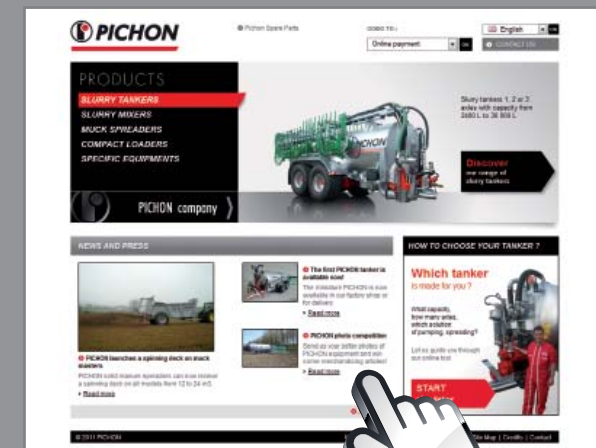
ONLINE

In complement of this brochure, we invite you to discover more in details our products on our website.

You will discover many videos and photos of our products in use as well as the features of each range.

Also find our last current events, the list of the exhibitions in which we take part as well as all our leaflets in digital format.

Finally, in order to offer you the product which corresponds to your needs, you have the possibility to build your tanker simulation with "How to choose your tanker" which will allow us to know more about your needs.



www.pichonindustries.com



Discover our last videos on the Youtube PICHON channel:
www.youtube.com/etspichon

DISCOVER OUR OTHER SOLUTIONS:



**MUCK SPREADERS
FROM 12 TO 24 M³**



**SLURRY MIXERS
5, 7 AND 10.50 M**



**COMPACT LOADERS
FROM 26 TO 51 HP**



**SPECIFIC
EQUIPMENT**

PICHON DEALER:



ZI DE LAVALLOT - B.P. 21
29490 GUIPAVAS - FRANCE

TEL: + 33 298 344 100 - FAX: + 33 298 344 120

email: info@pichonindustries.com

www.pichonindustries.com

